



TECHNICAL DATA



LOW TEMPERATURE



DOUBLE CURTAIN



SELF-REPAIRING



SAFE



HIGH SPEED
70 in/sec



OIL FREE



GRAVITY TECHNOLOGY

MAXIMUM DIMENSIONS	W 20 ft x H 23 ft
SPEED	Max opening speed Up to 70 in/sec
	Closing speed 32 in/sec adjustable
CYCLES TEST	1,000,000
WIND RESISTANCE	Class 2
STRUCTURE	Not self-supporting
FRAME / MOTOR COVER HOOD	Standard Galvanized Steel
	Optional Stainless steel
CURTAIN	Standard Dual curtain .035 in - 35 oz/yd ²
RETENTION SYSTEM <i>lubrication-free</i>	Patented retention system with high density polyethylene self-lubricating track system
CONTROL PANEL	Power supply 3-ph, 208V
	Power supply 3-ph, 230V
	Power supply 3-ph, 460V
	NEMA 4X panels and IP65 motors available
WIRING	Plug and Play system
SAFETIES	Standard <ul style="list-style-type: none"> • Photocells set IP65 • Un-roll sensor • WiFi safety edge
	Optional <ul style="list-style-type: none"> • Multi ray light curtain barrier
EMERGENCY OPENING	Standard Hand crank
	Optional Chain system UPS battery
HEATING KIT	A: Heater on electrical components and mechanical, heating cable 30W ml
	B: Heater in air space with warm air blower 2.35 KW max.
AIR FLOW OF AIR SYSTEM	33 ft/sec

The DynamicRoll® **FRIGO 2 AIR** is a self-repairing roll up door equipped with 2 parallel curtains that create an insulated barrier while in the closed position.

This technology makes the door ideal to meet the needs of the refrigeration field needs, where it's often needed to separate environments with positive and negative temperatures. This helps to avoid the condensation and ice, which creates a dangerous situation for workers and for the proper operation of door itself.

The DynamicRoll® **FRIGO 2 AIR** can be installed both in positive and negative temperatures. Due to the specifically designed retention system that allows the curtain to exit the guides in the event of impact and reinsert in one cycle, it is a very safe product for the workplace.



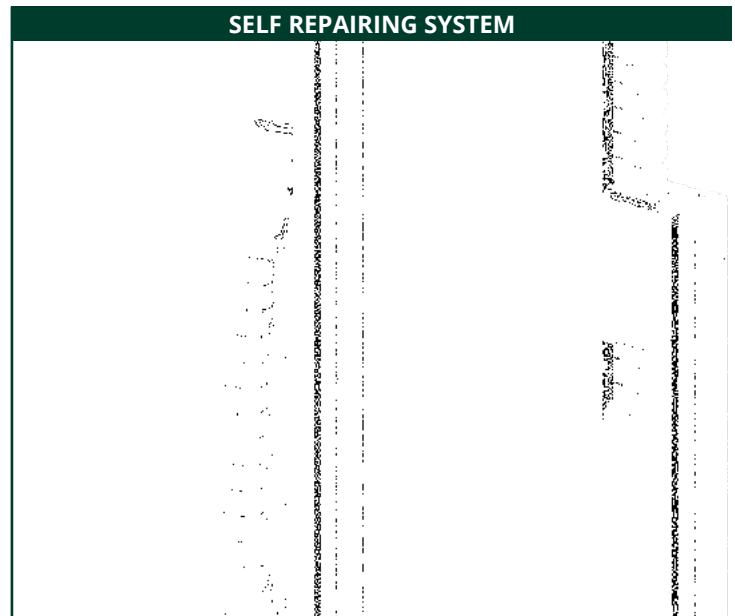
EN13241 CERTIFICATION

STANDARD	RIF.	TEST ACC.	RESULTS
WATER PERMEABILITY	EN 12425	EN 12489	Class 1
WIND LOAD	EN 12424	EN 12444	Class 2
WIND PERMEABILITY	EN 12426	EN 12427	Class 1
SAFE OPENINGS	EN 12453	EN 12445	✓
MECHANICAL RESISTANCE	EN 12604	EN 12605	✓
UNINTENDED MOVEMENTS	EN 12604	EN 12605	✓
THERMAL TRANSMITTANCE	EN 12428	EN 12428	2,2 W/m²K
PERFORMANCE (CYCLES)	EN 12604	EN 12605	1.000.000

Values can change depending on door dimensions

ADVANTAGES

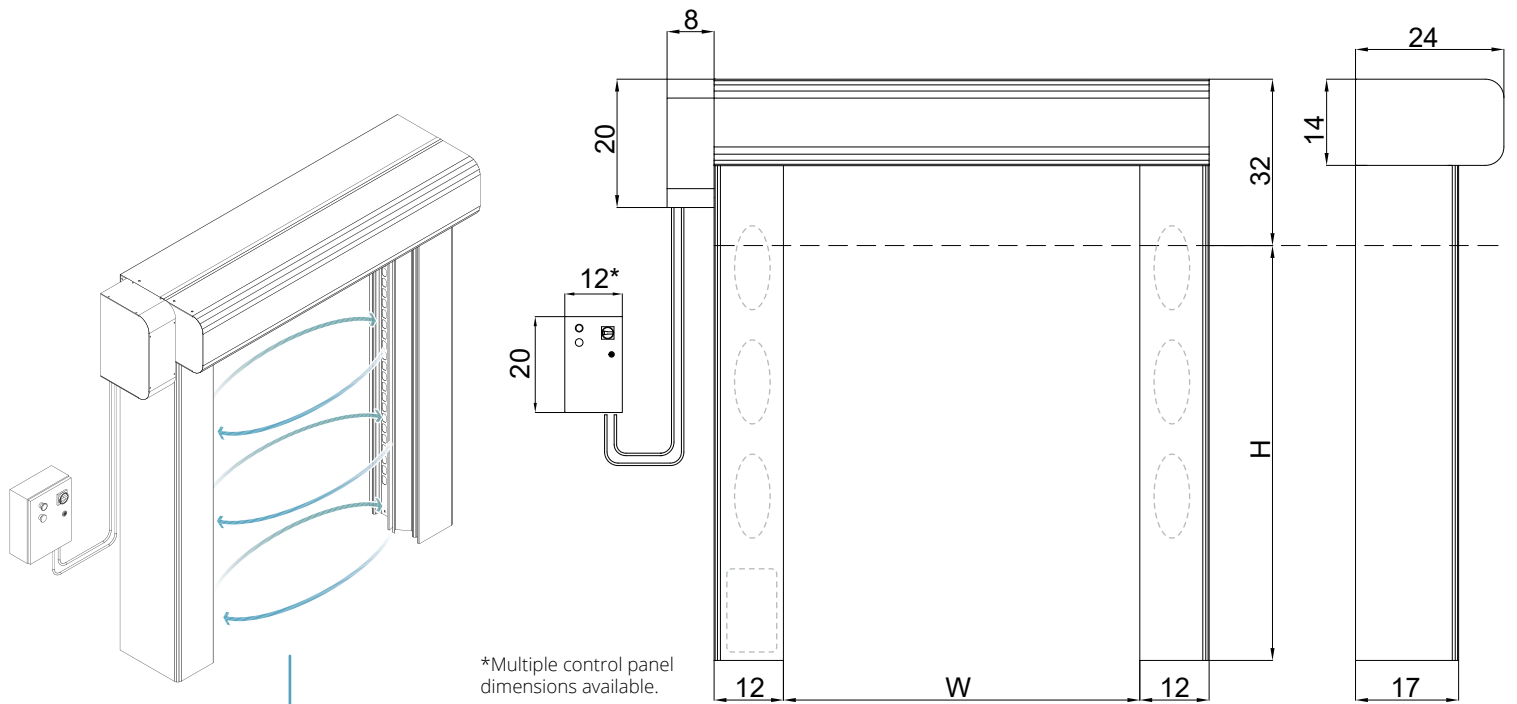
- Self-repairing
- Rapid
- Sealing
- Quiet operation
- No rigid elements inside the curtain for 100% safety
- Plug & play (easy to install)
- Low maintenance
- Energy savings
- Allow the traffic flows in safety between areas of high temperature gap
- Double PVC curtains (airspace between 8 in.)



OPERATING TEMPERATURE RANGE



OVERALL DIMENSIONS

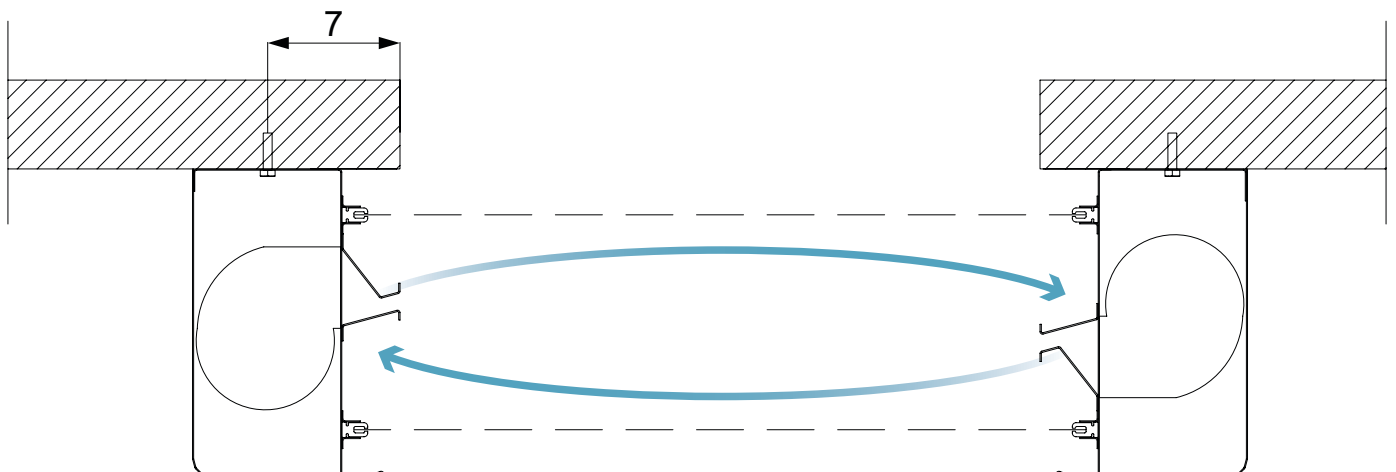


● Ventilation system

This is an essential system to separate two high-traffic rooms with different temperatures or humidity. When the door is open, it guarantees the separation of the two rooms using a double lateral ventilation system with recirculation of the same air, avoiding turbulence on the floor.

Double curtain doors are ideal for:

- ✓ Refrigeration industry
- ✓ Managing high temperature differences with uncontrolled humidity



PVC CHARACTERISTICS

STANDARD PVC

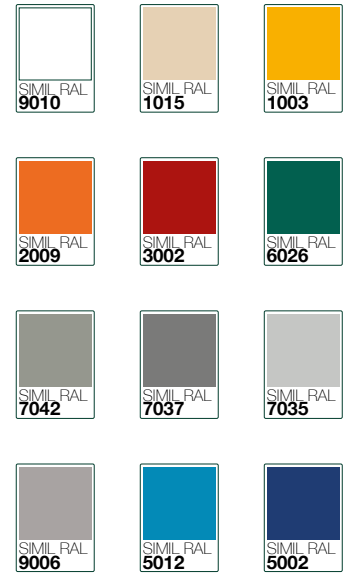
Composition and tests

EXTERNAL SIDE			
Material	Finishing	Color	Thick
PVC	Opaque	12 standard	.035 in
FABRIC			
Material	N. tarps	Title	EN 2286-2
PES	1	1100Dtex 12x12	35 oz/yd ²
INTERNAL SIDE			
Material	Finishing	Color	Thick
PVC	Rough	12 standard	.035 in
COLD RESISTANCE			
ISO 4675/90 -58°F ±5			
HYDROLYSIS TEST			
167°F 95% humidity no variation			
GAS OIL TEST			
ISO 1421 no variation			
MARINE WATER TEST			
(ISO 1421) no variation			
OZONE TEST			
ISO 3011 no crack			
T. STORAGE			
(°F) -22 +65			
FLAME TEST			
(ISO 3795) < 4 in/min			
PERFORATION			
RINA 3.A1.2.7 (N) > 100			
EXERCISE 7 days -94°F			
ISO 6065 no variation			

Characteristics

THICK ISO 2286/3 .075 in
WEIGHT ISO 2286/2 35 oz/yd ²
LOAD BREAK ISO 1421 6000 N/2 in
TENSILE STRENGTH WARP/WEFT ISO 1421/V1 49 lb/in
TEAR STRENGTH WARP/WEFT ISO 1421/V1 112 lb
WARP BREAK dIN 53 363 300 N
TEXTURE BREAK dIN 53 363 300 N
ADHESION LB 3.04-1
EEC CONFORMITY Yes
SPECIFIC USE temperature-controlled spaces

Colors



OPTIONAL ACCESSORIES

RADAR



OPENING POINT
RADAR TOF/SPOT
for internal use only



INFRARED RADAR
with cross-movement
adjustment



INFRARED RADAR
motion and presence
(pedestrian/forklift) radar

TRAFFIC LIGHTS



GREEN FIXED STANDARD
traffic light



RED FIXED STANDARD
traffic light



LED TRAFFIC LIGHT
with countdown



LED TRAFFIC LIGHT
BARRIERS
(connection card included)

BUTTONS



OPENING GREEN
BUTTON
with box



OPENING BLACK
BUTTON
with box



FREEZE STOP BUTTON
with box



NO TOUCH
BUTTON



WIND GAUGE



KEY
SELECTOR



REMOTE CONTROL



BOLLARD B-PROTECT



PULL CORD SWITCH



MAGNETIC LOOP DETECTOR

JAMISON HIGH PERFORMANCE DOORS

www.jamisondoor.com

contact@jamisondoor.com